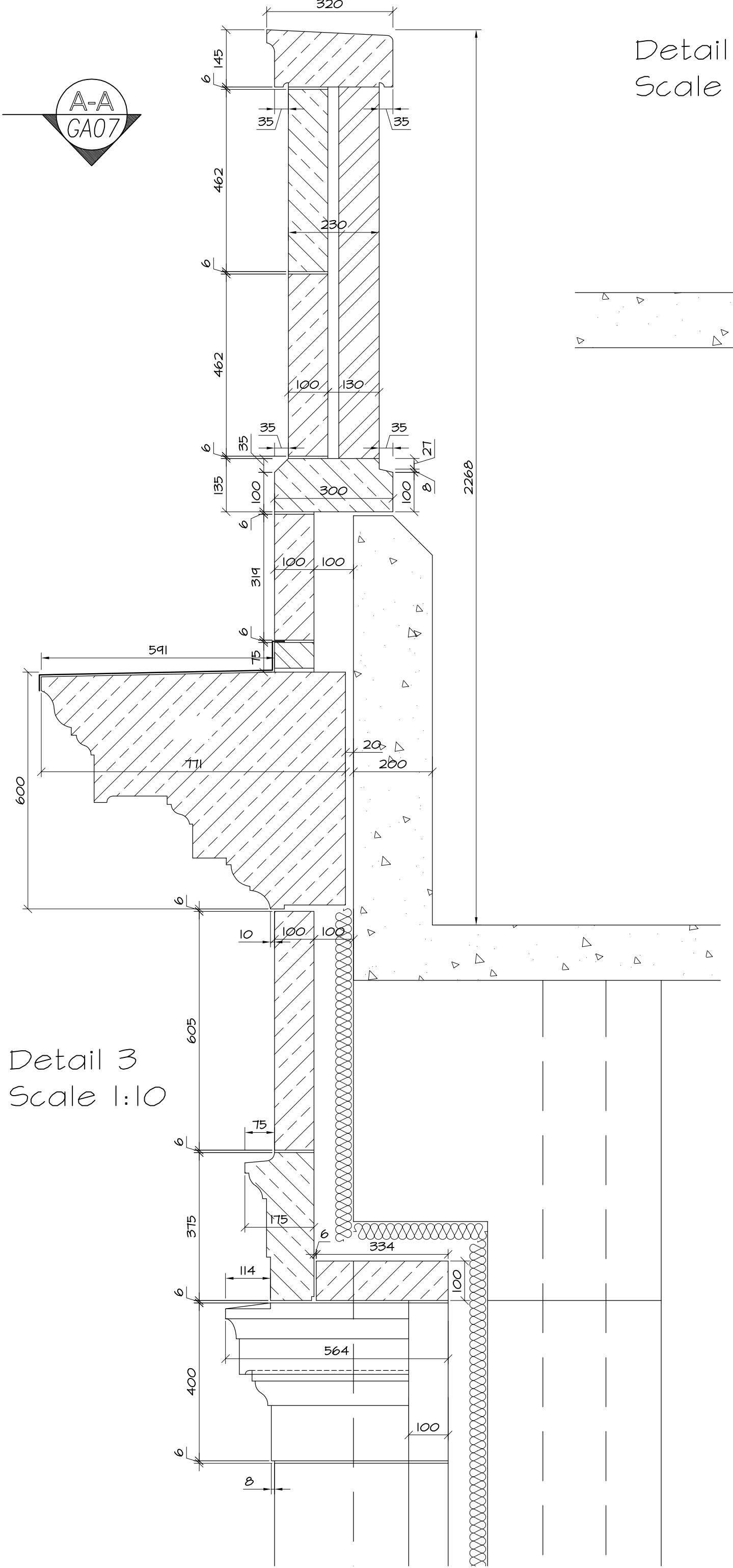
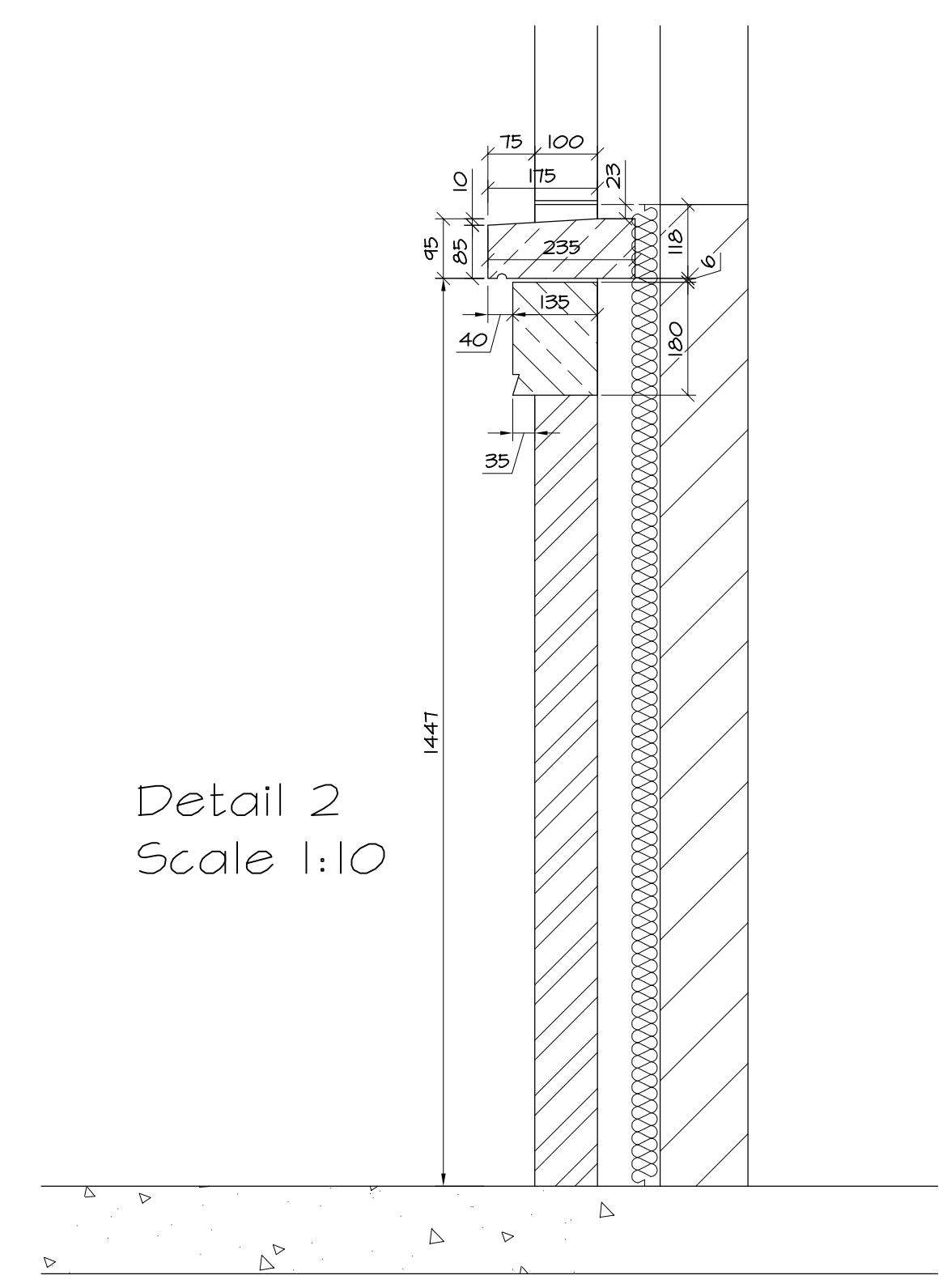
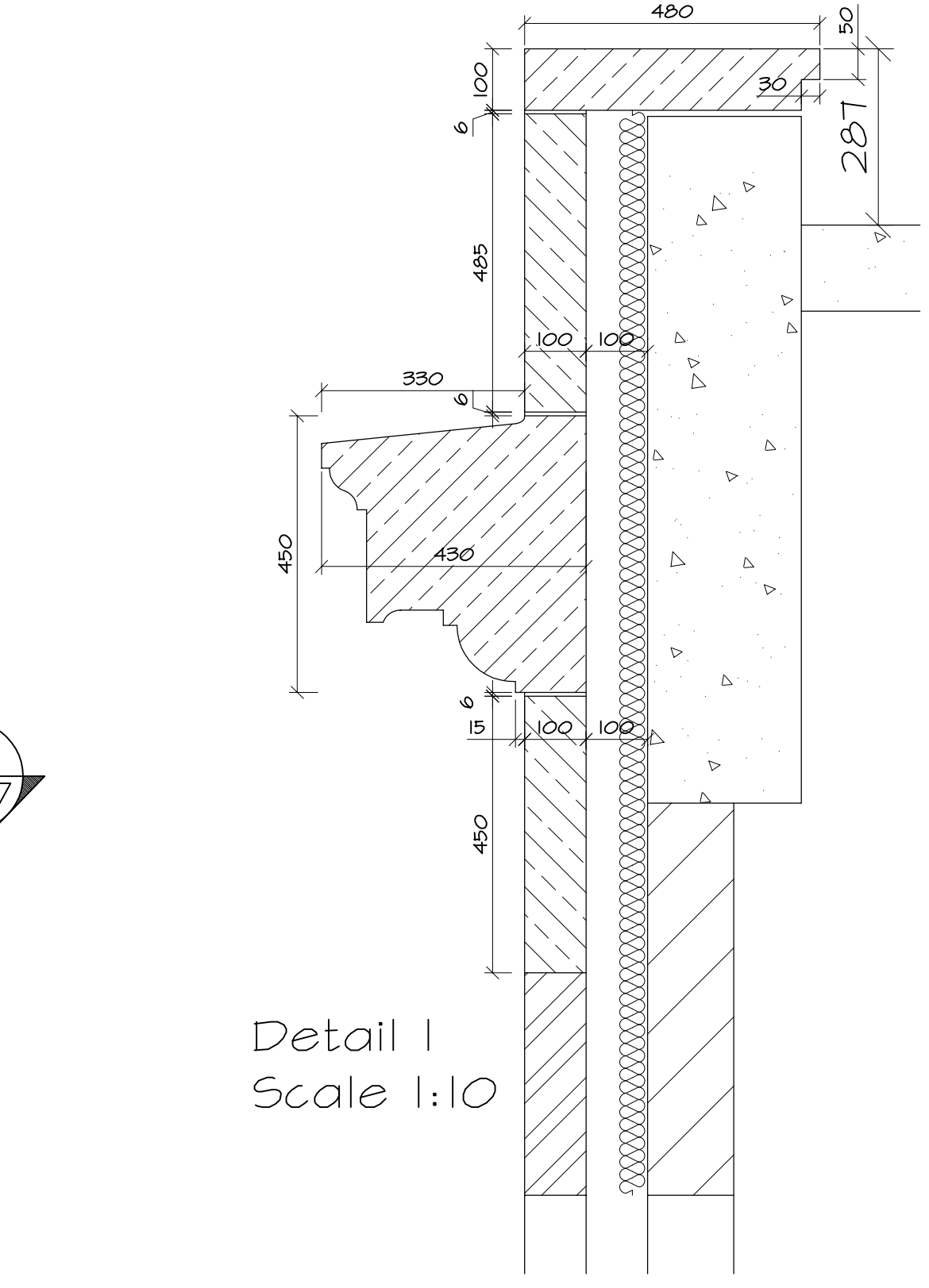
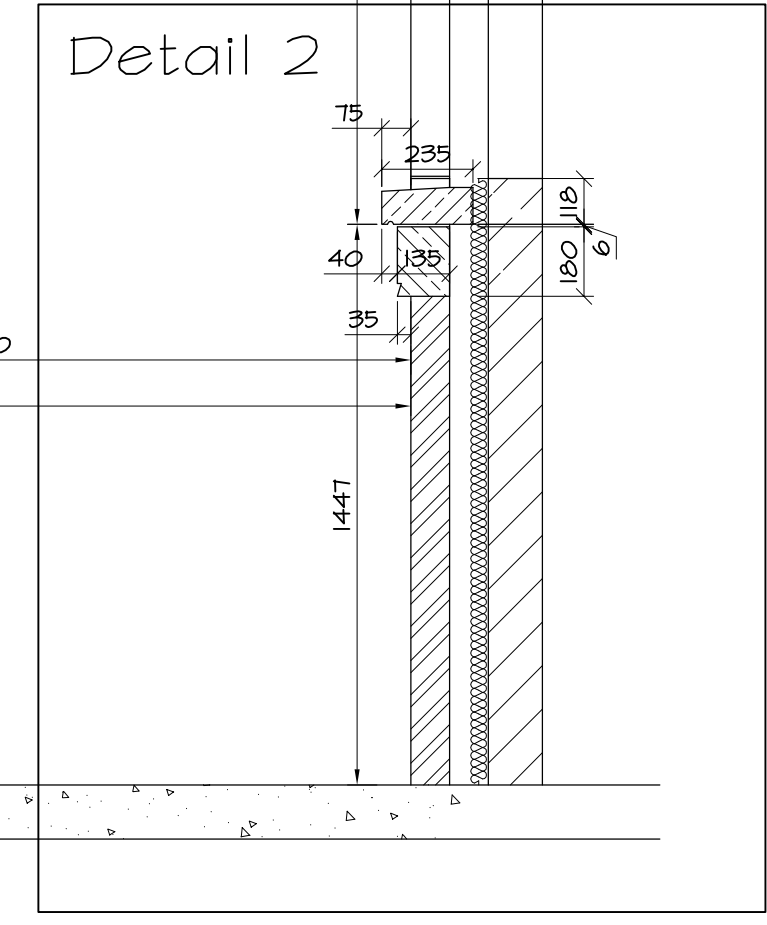
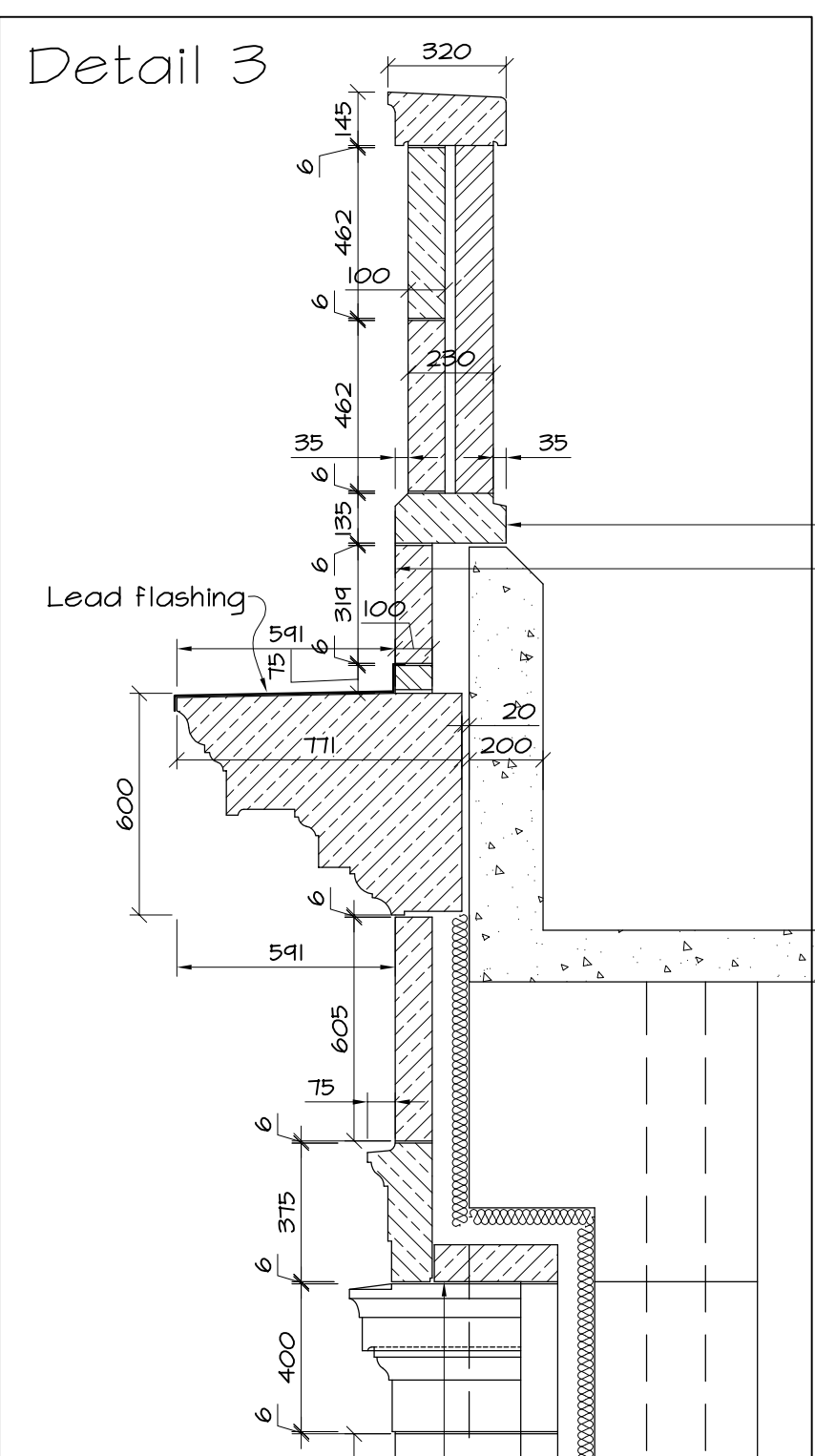
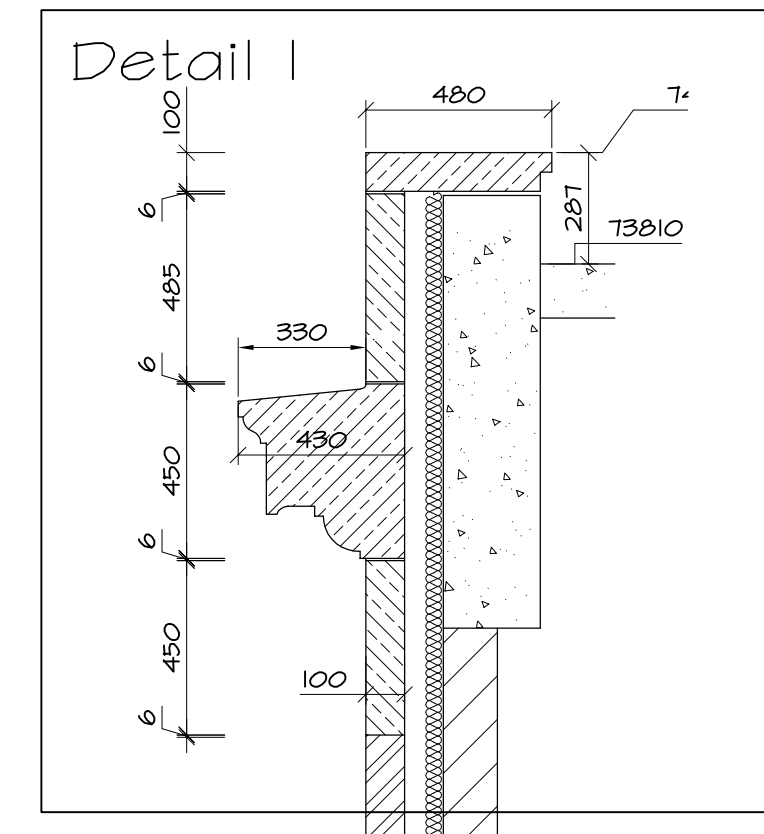
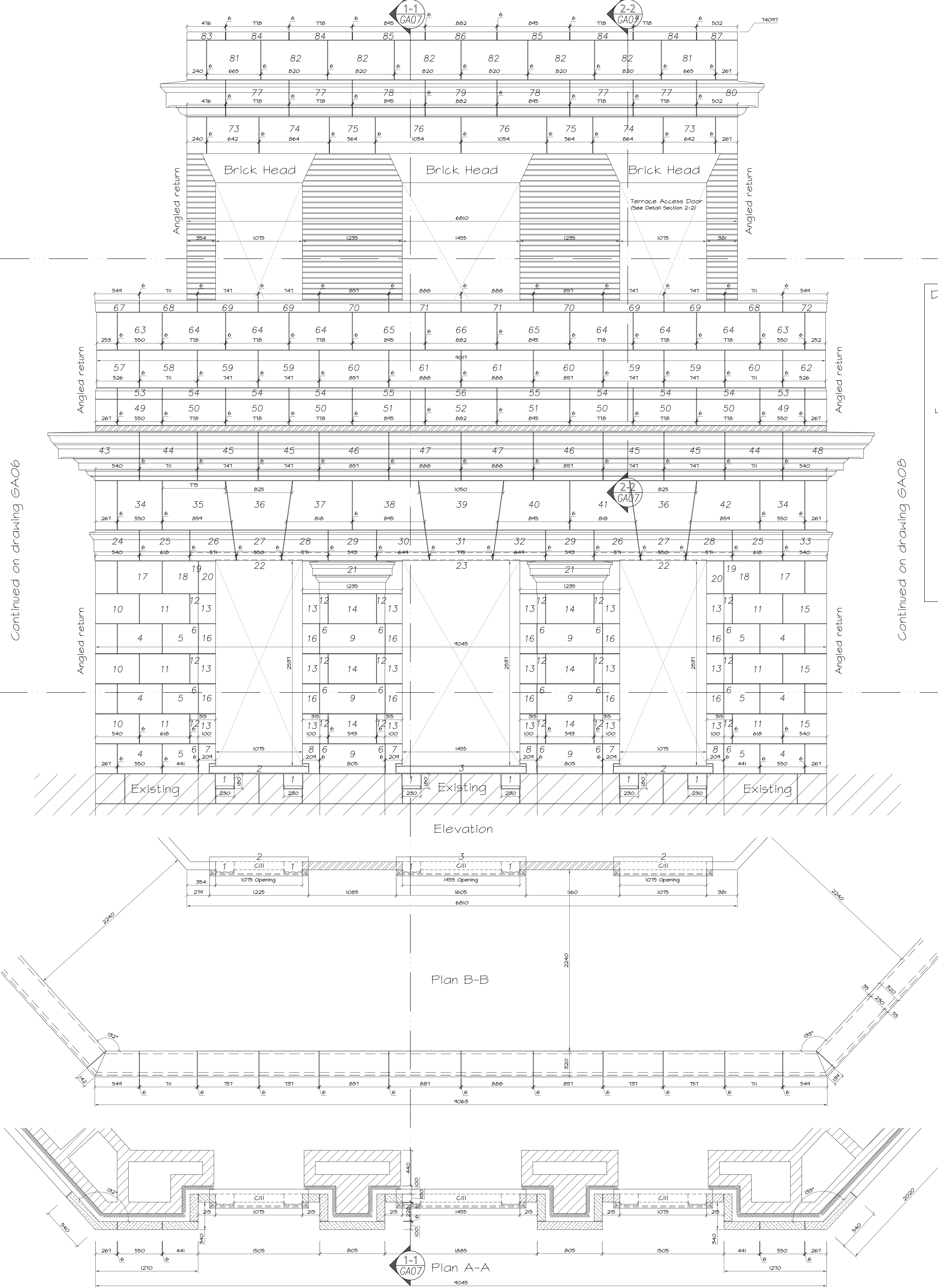


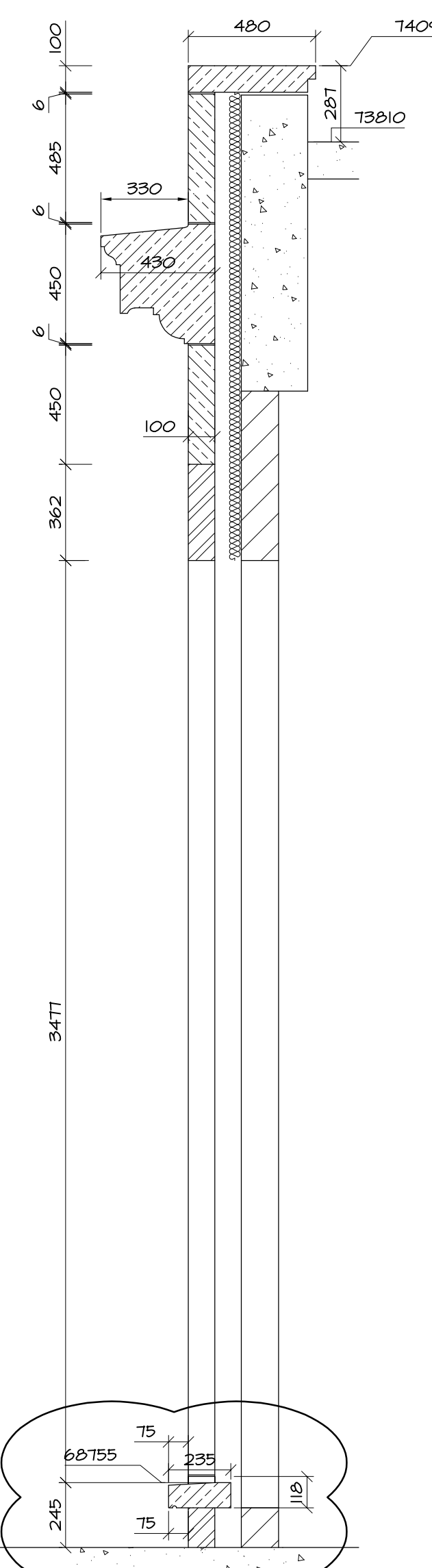
B-B
GA07

A-A
GA07



CDM REGULATIONS
DESIGN RISK ASSESSMENT
The size and shape of individual stones for this project have been designed to satisfy the overall design requirements for the building.
All persons handling and installing such stones should be aware that there are risks associated with this type of work, which cannot be designed out.
Risk: Injury
Risk Reduction:
Fixers must be suitably experienced in the handling of stones and employ lifting methods appropriate to the size and shape of the stone.
Access and working platforms must be to the standard required by current legislation.
Reference must always be made to COSHH information for the materials being used.

Notes:
 = To be confirmed
 = Net Stone sizes
 = Gross overall sizes



Rev.	Date	Comments	By
B	07/11/07	Amended to Architects comments.	NSH
A	11/10/07	Stone mark numbers added.	NSH
		Amended to Architects comments.	NSH

STATUS:
CONSTRUCTION

Marlborough Brickwork Ltd.
No. 1, Cross Green Approach,
Cross Green,
Leeds LS9 9BG
TEL: 0113 391 8220 FAX: 0113 391 8219

DESIGNED BY
stewart design (uk) limited
the old bakery, sheep street, charlbury, oxford, UK, OX7 3BR
tel: +44 (0) 1608 811500 fax: +44 (0) 1608 811700
e-mail: design@stewartdesign.co.uk website: www.stewartdesign.co.uk

Project: Capital & Counties
22-26 The Headrow
Leeds
Drawing Title: New Briggate
4th & 5th Floors - corner 03
Elevation, Section & Plans
Date: 03/08/07
Scale: 1:10 & 20 @ A0
Drawing No: **GA07**

