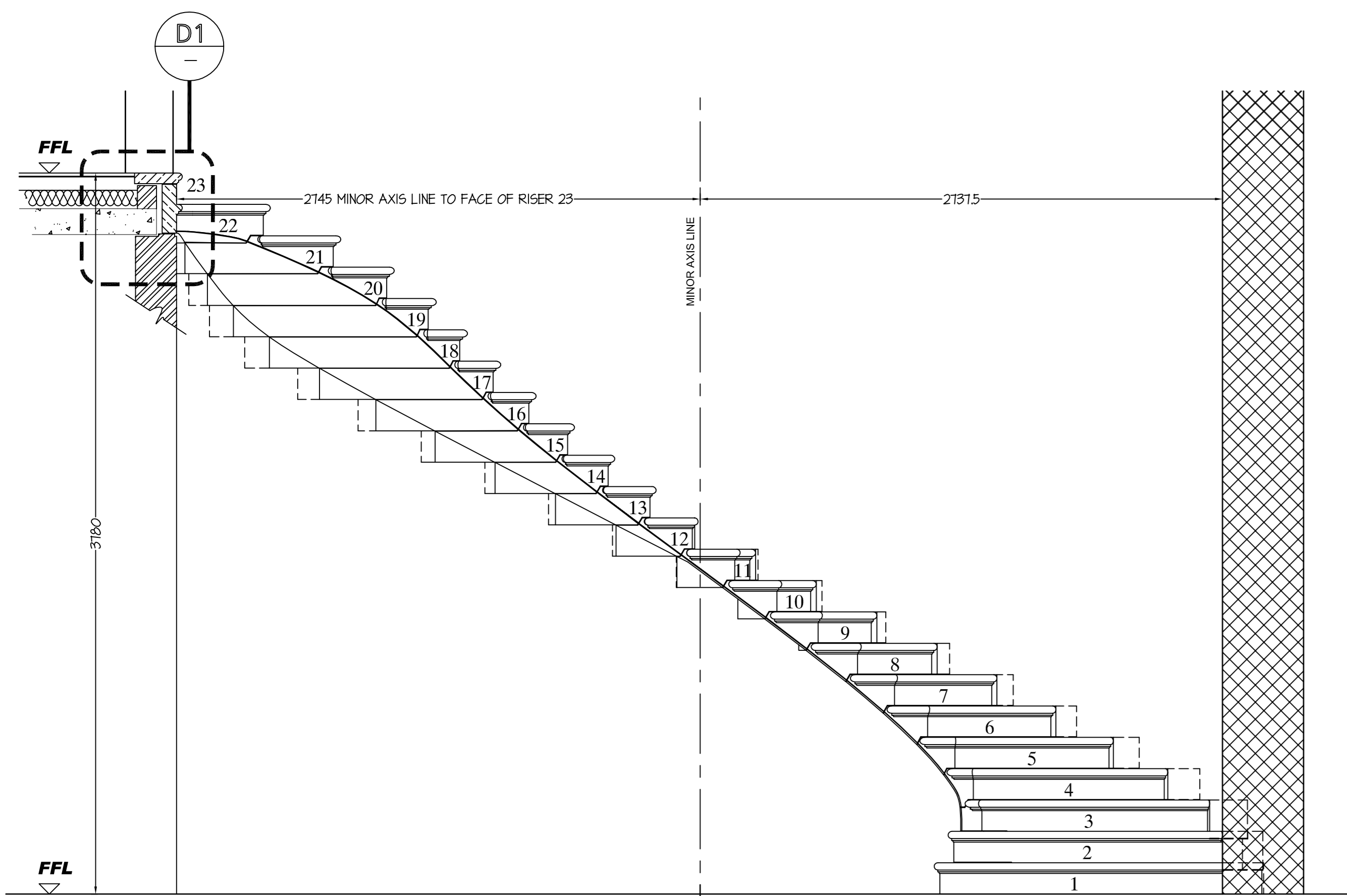
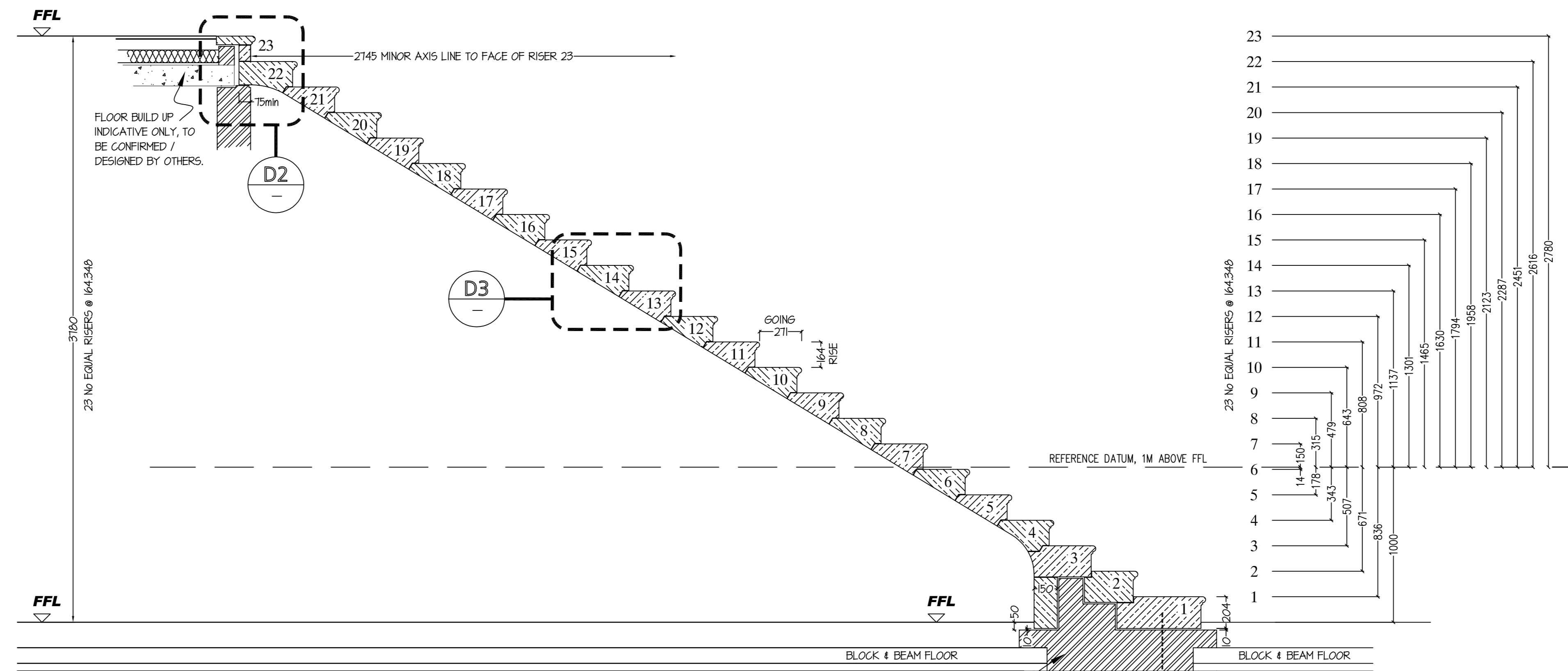


STATUS: **CONSTRUCTION**

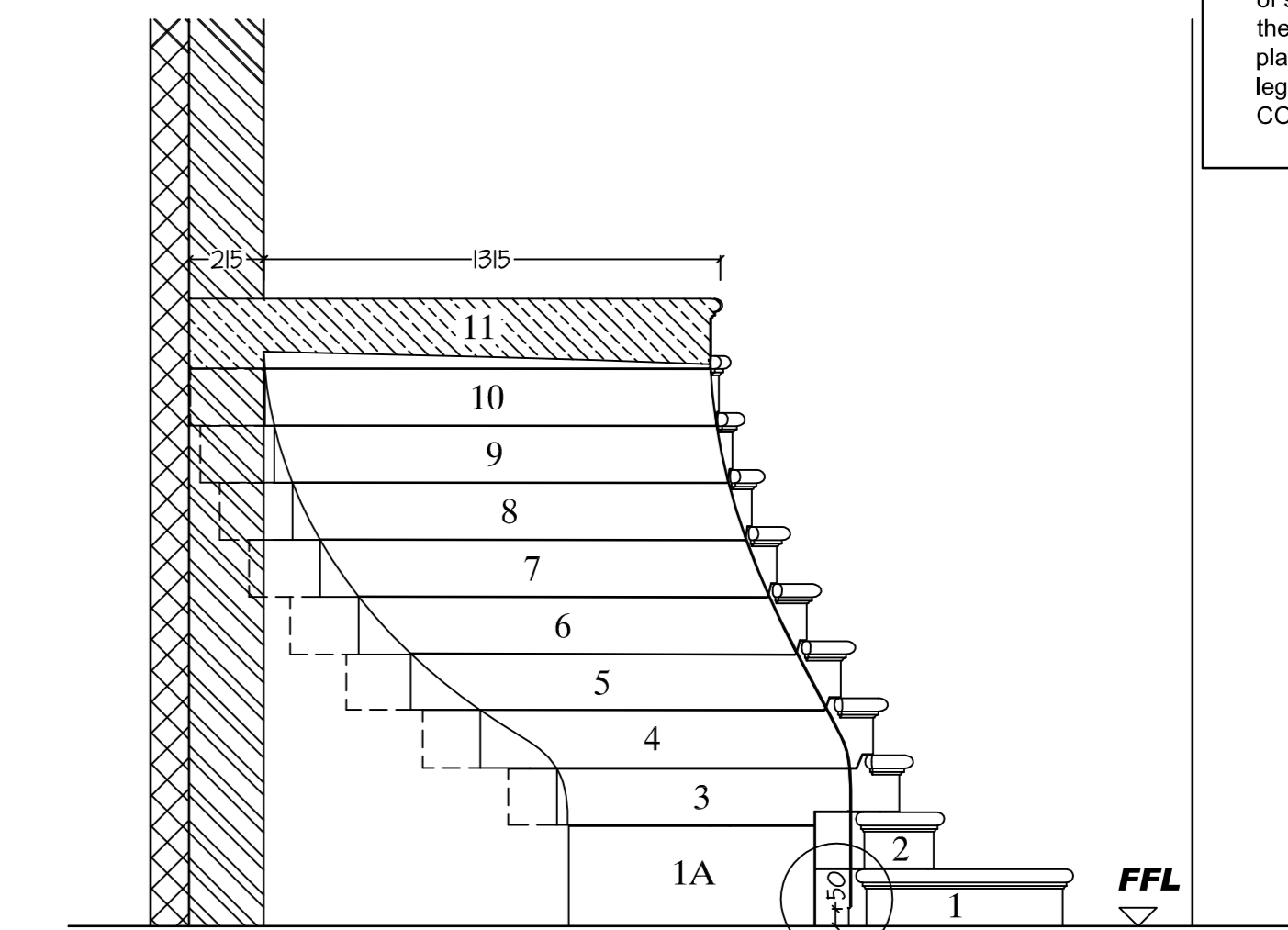
Notes:
 Do Not Scale From Drawing.
 All interfacing construction details are the responsibility of the main contractor
 All interfacing works are to be co-ordinated by the main contractor
 COM REGULATIONS
 DESIGN RISK ASSESSMENT
 The size and shape of individual stones for this project have been designed to satisfy the overall design requirements for the building. All persons handling and installing such stones should be aware that there are risks associated with this type of work, which cannot be designed out.
 Risk: Injury
 Risk Reduction:
 Fixers must be suitably experienced in the handling of stones and employ lifting methods appropriate to the size and shape of the stone. Access and working platforms must be to the standard required by current legislation. Reference must always be made to COSHH information for the materials being used.



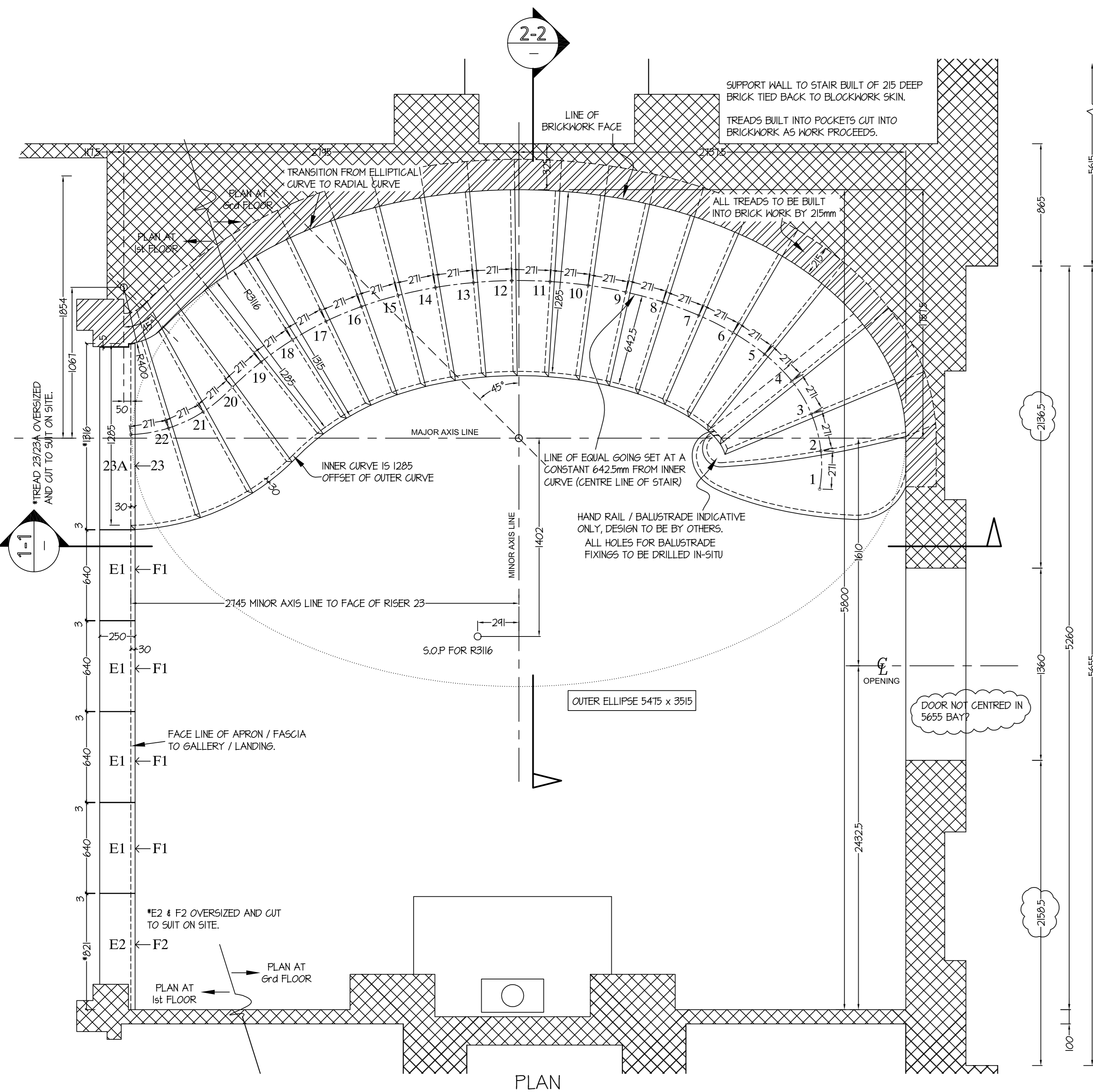
SECTION 1-1



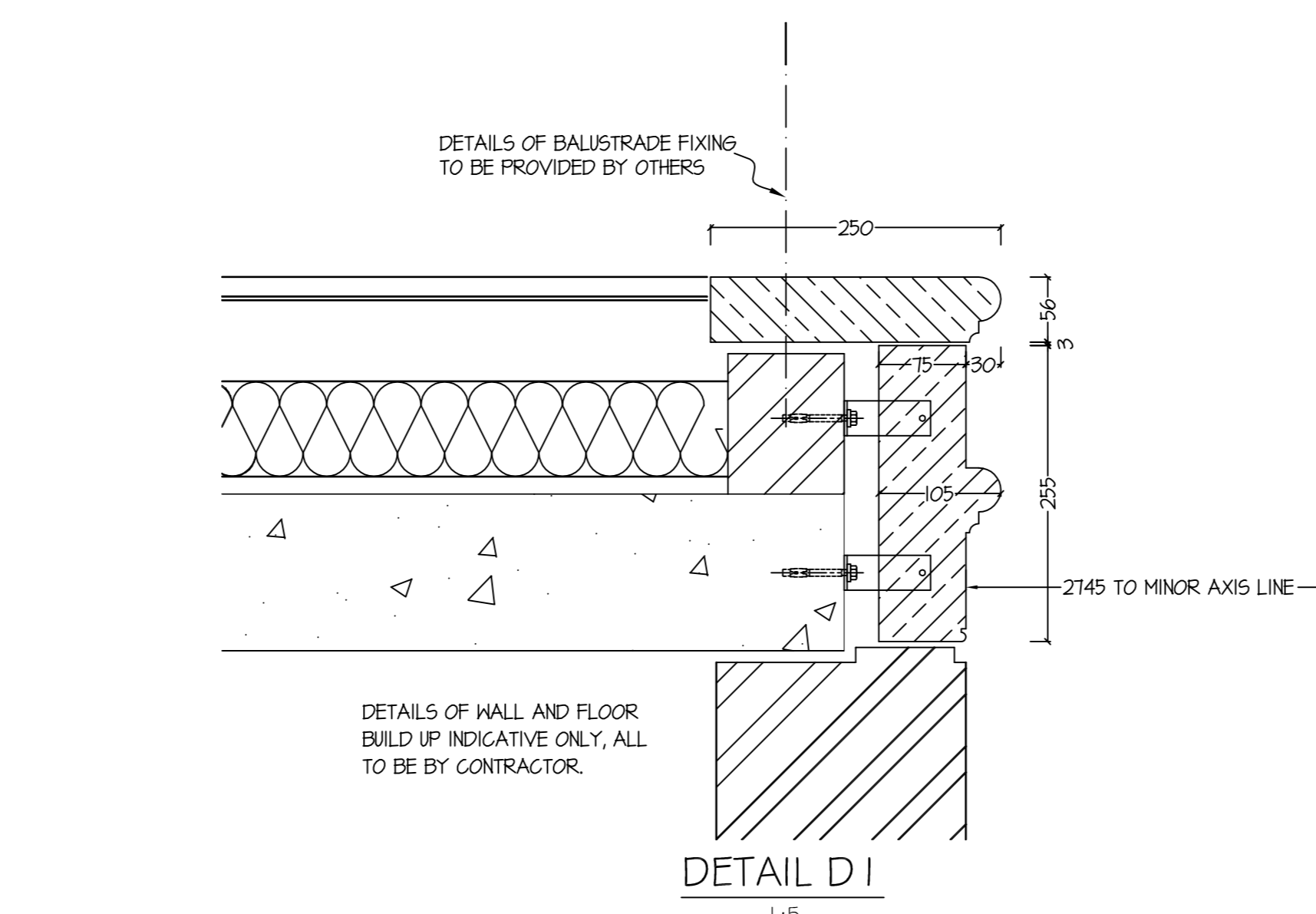
DEVELOPED SECTION THROUGH 'LINE OF GOING'
 (Flattened out)



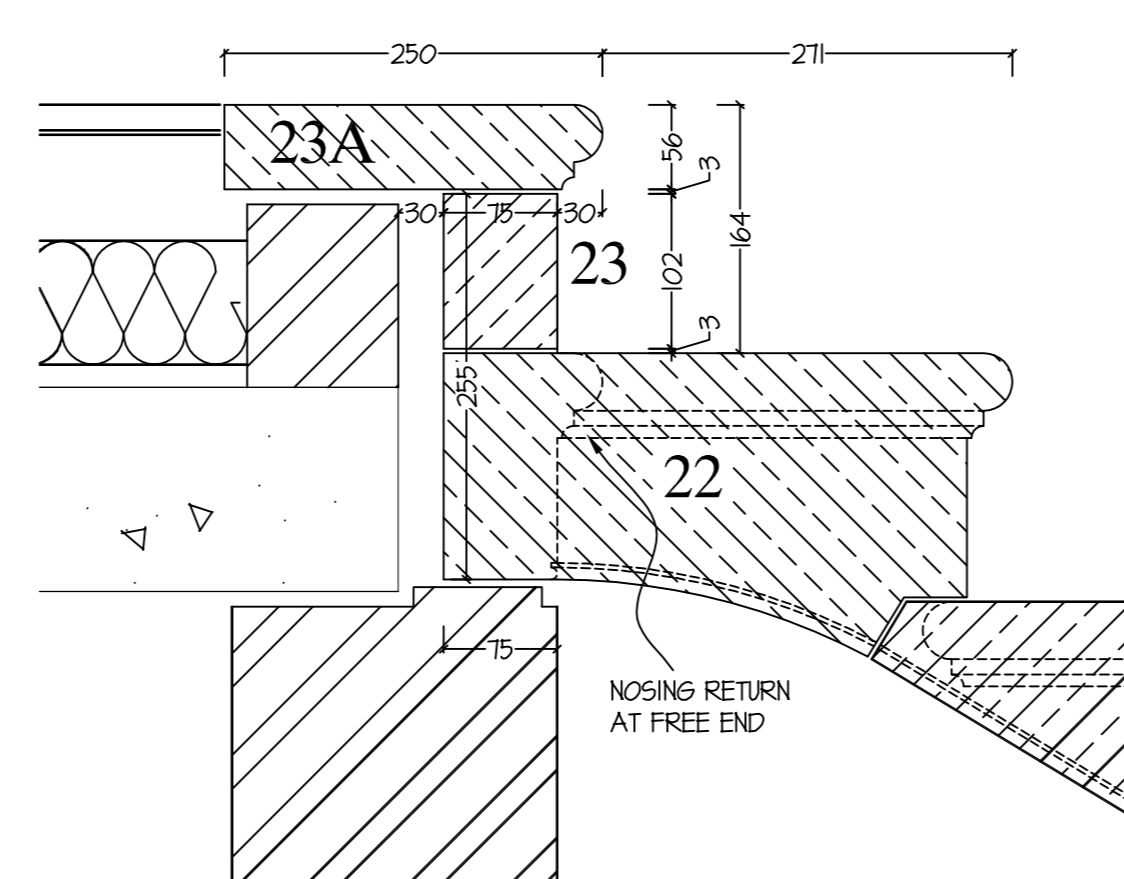
SECTION 2-2



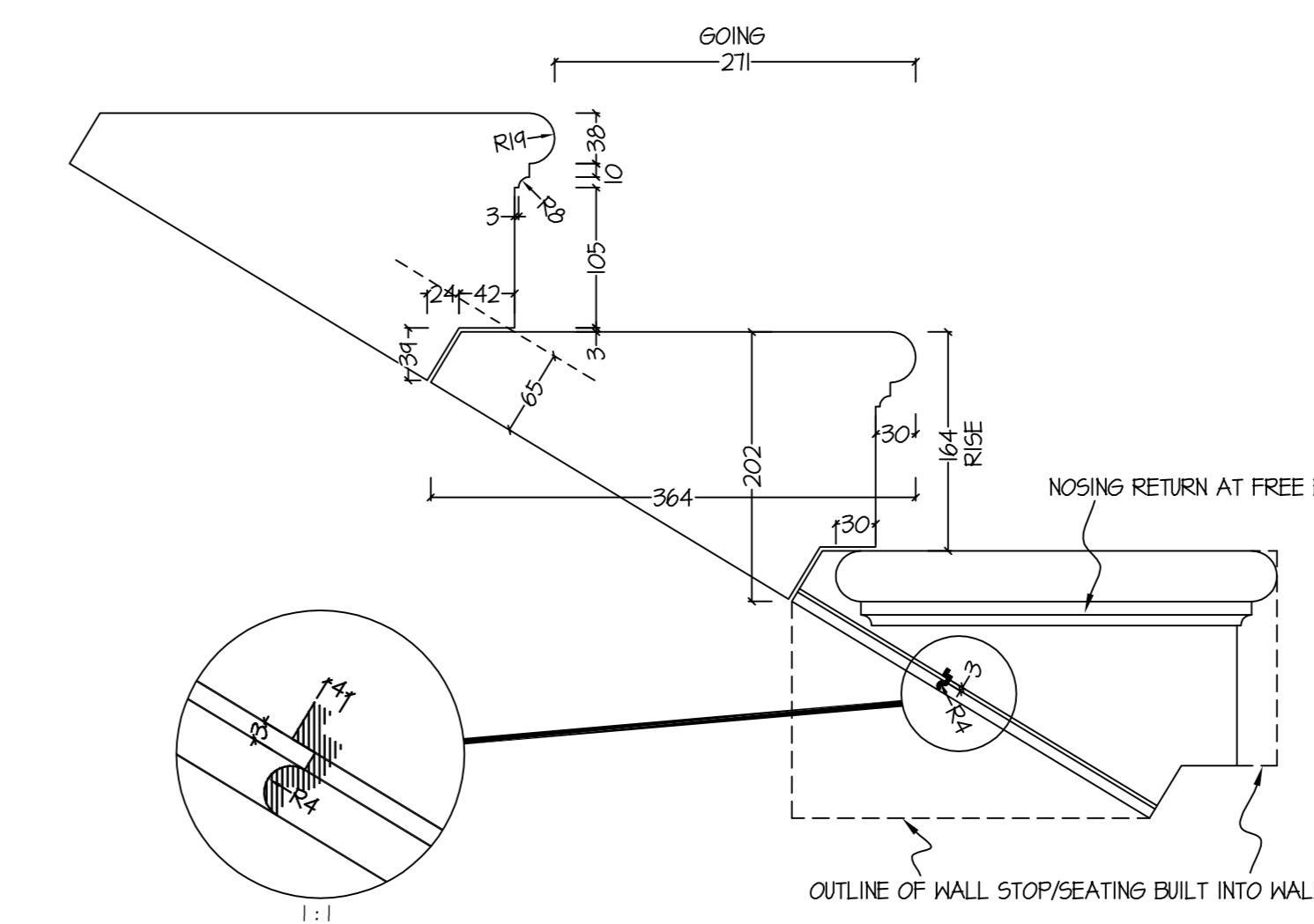
PLAN



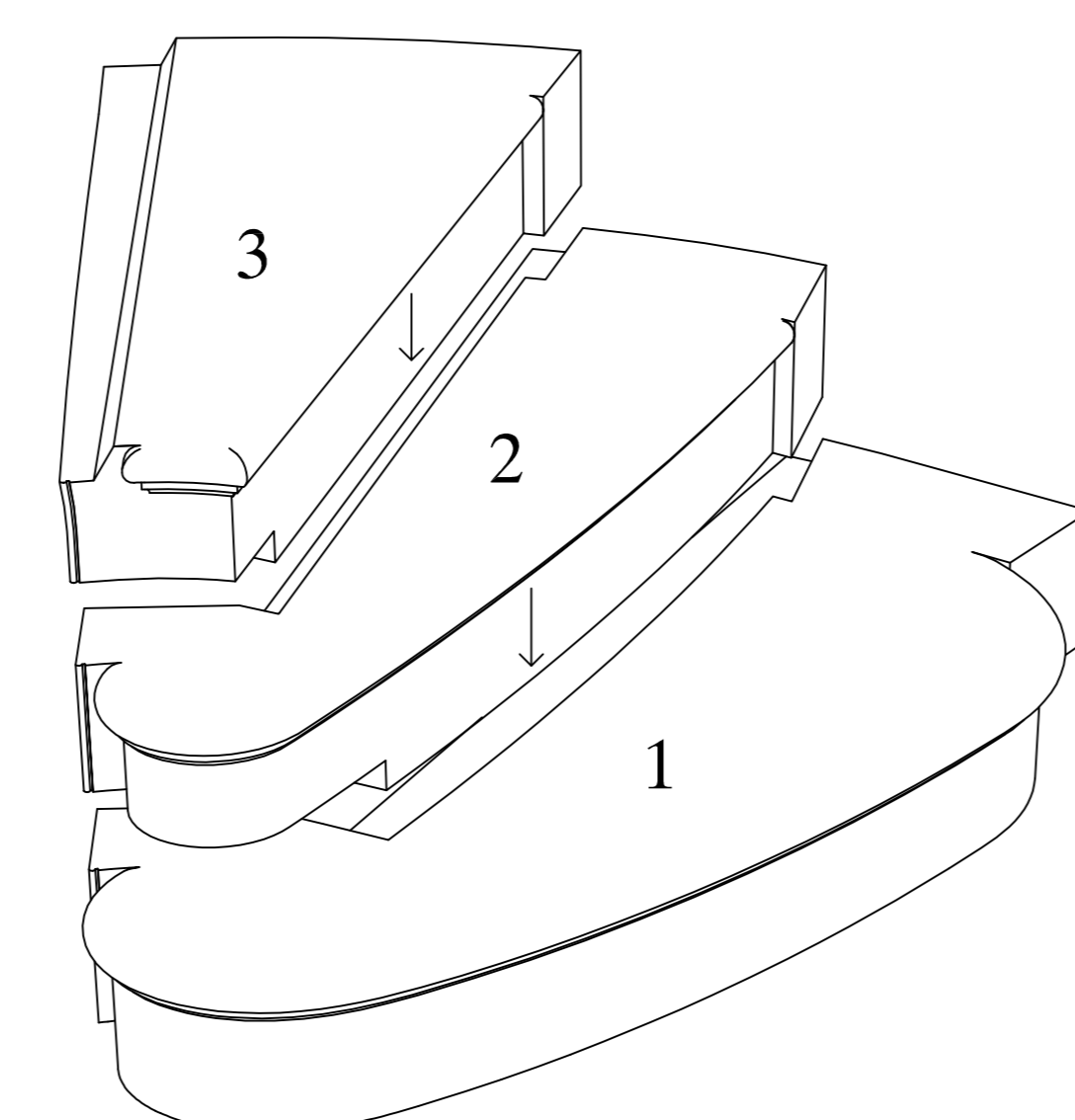
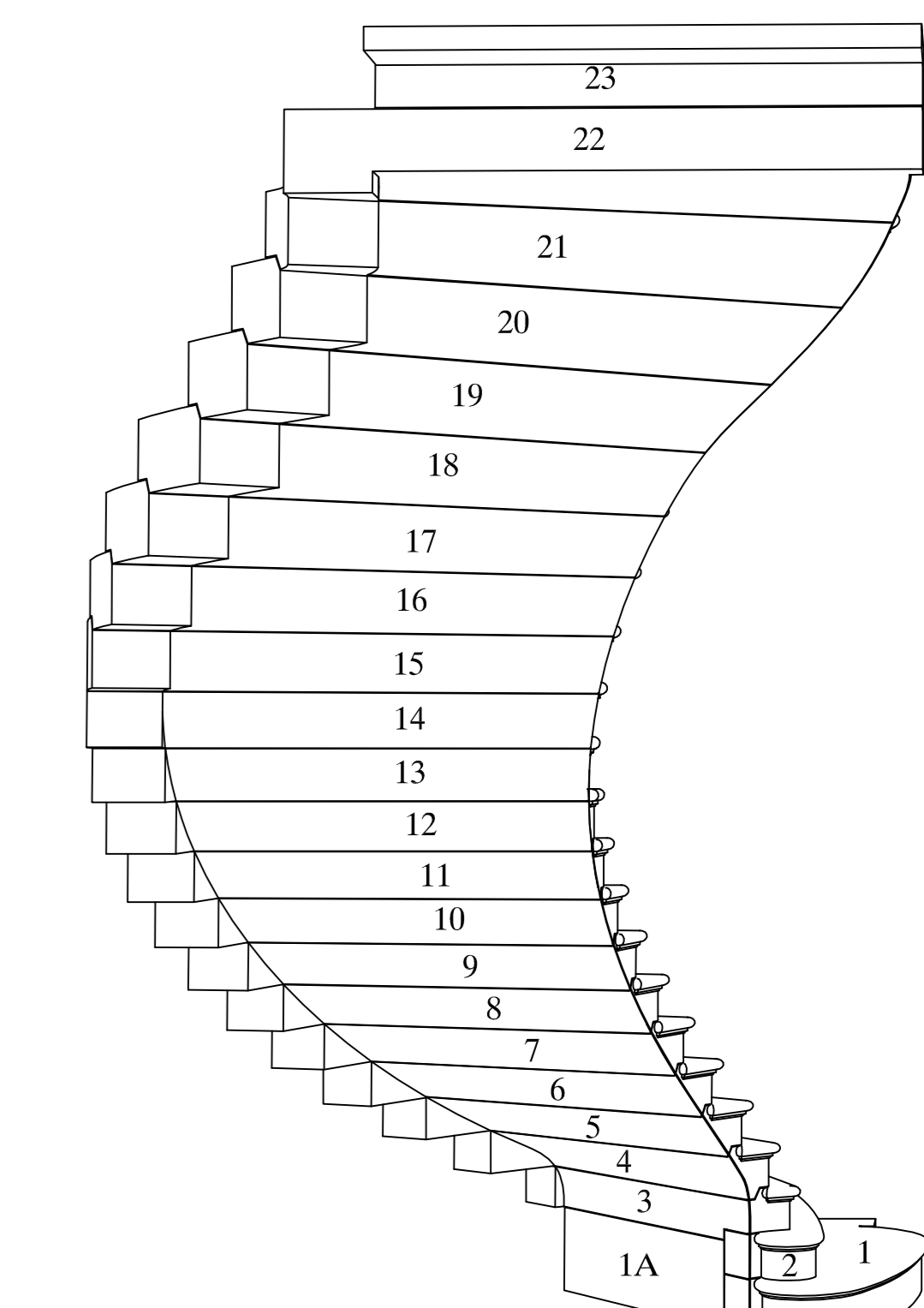
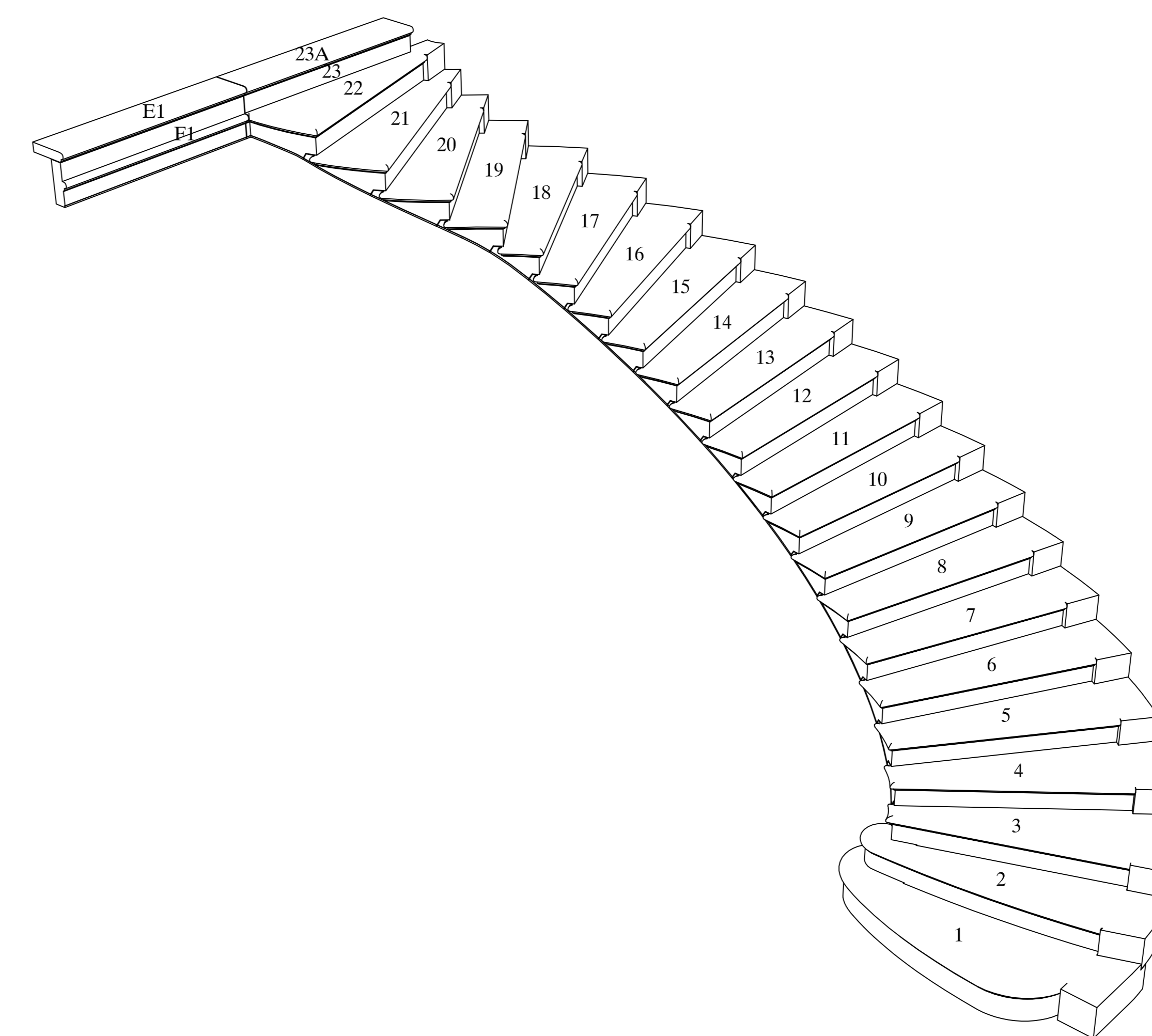
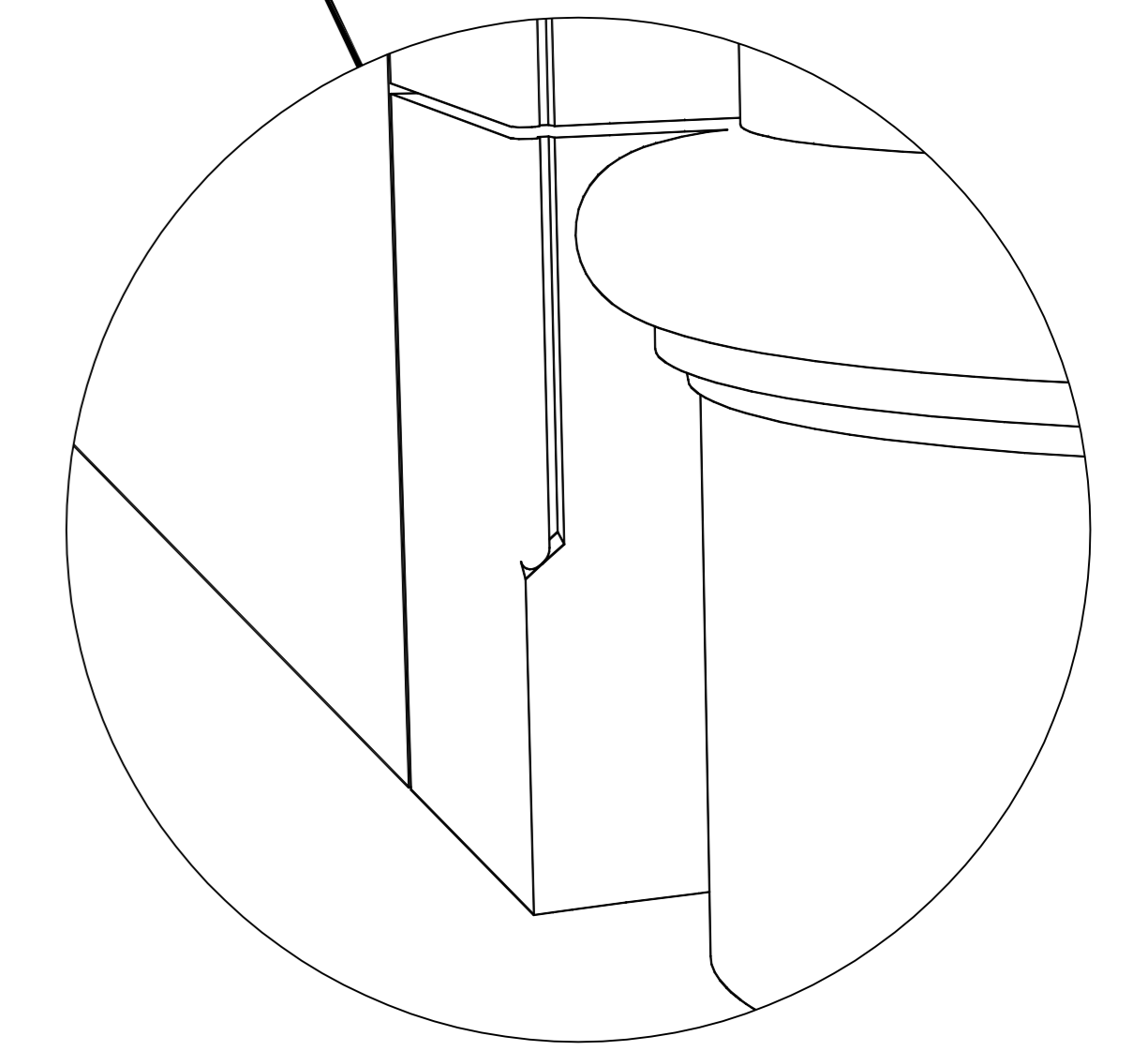
DETAIL D1
 1:5



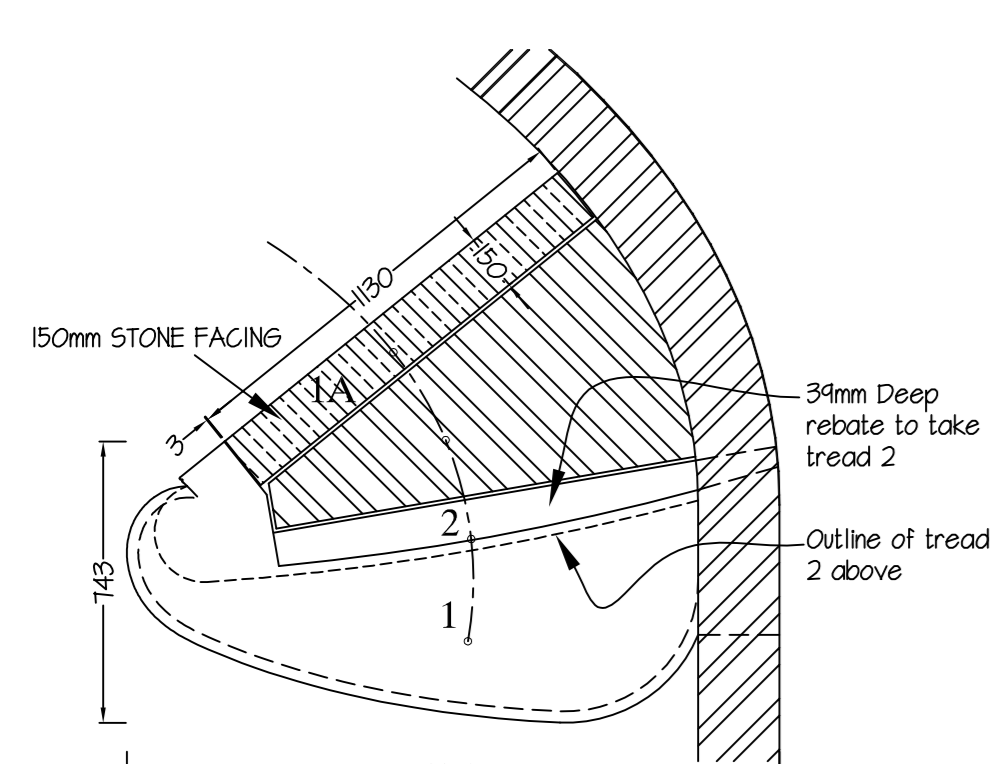
DETAIL D2
 1:5



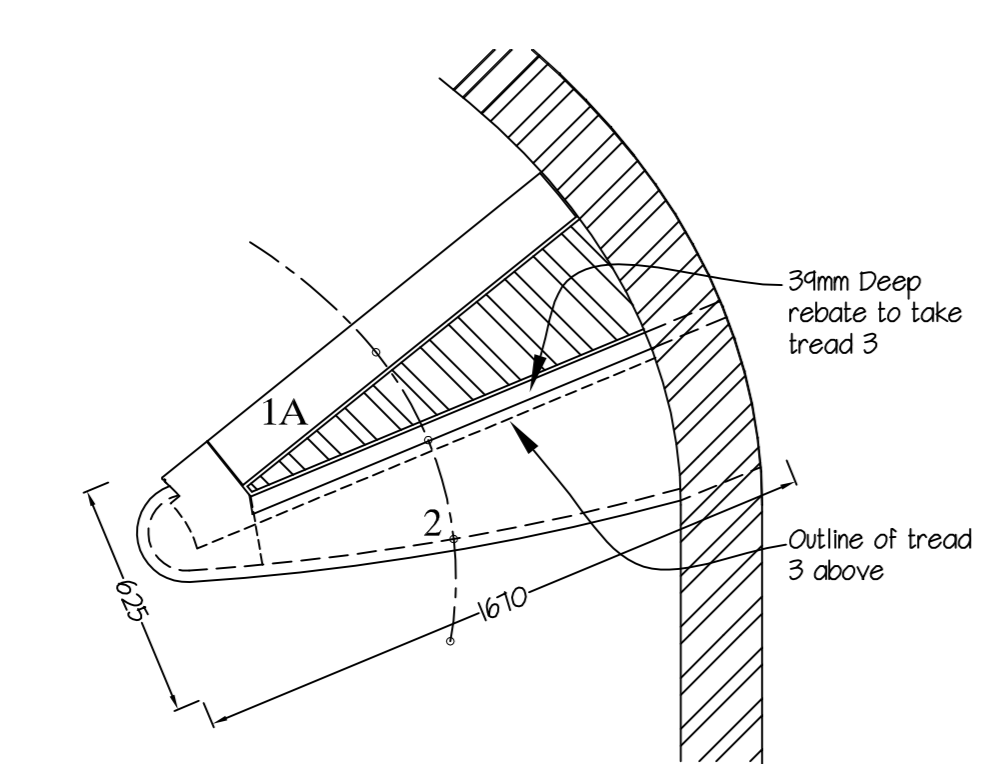
DETAIL D3
 1:5



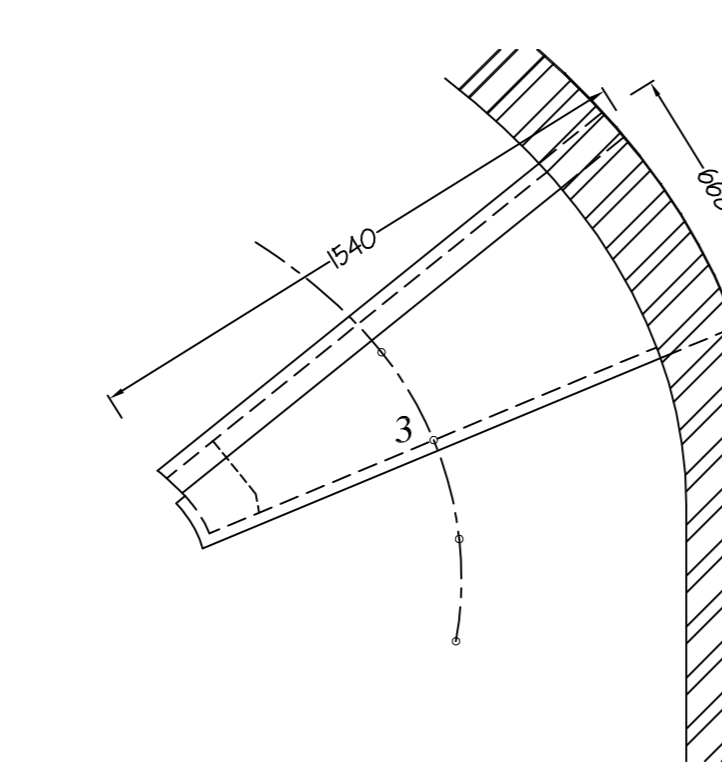
1



PLAN AT TREAD 1



PLAN AT TREAD 2



PLAN AT TREAD 3

Rev.	Date	Comments	By
A	16/02/2009	Stone numbers updated	TA

stewart design (uk) limited
 the old bakery, sheep street, charlbury, oxon, uk, OX7 3RR
 tel: +44 (0) 1608 811500 fax: +44 (0) 1608 811700
 e-mail: design@stewartdesign.co.uk website: www.stewartdesign.co.uk

Architect: PRO VISION - Deer Park Court, Hursley, Winchester, Hampshire, SO21 2LD

Project: Private Residence Hampshire UK
 Drawing Title: Cantilevered Stone Stair General arrangement and set out details

Drawn: SD Date: Feb 09 Scale: 1:20 & 1:5 @ A0 Drawing No: 0842-02 Rev: A