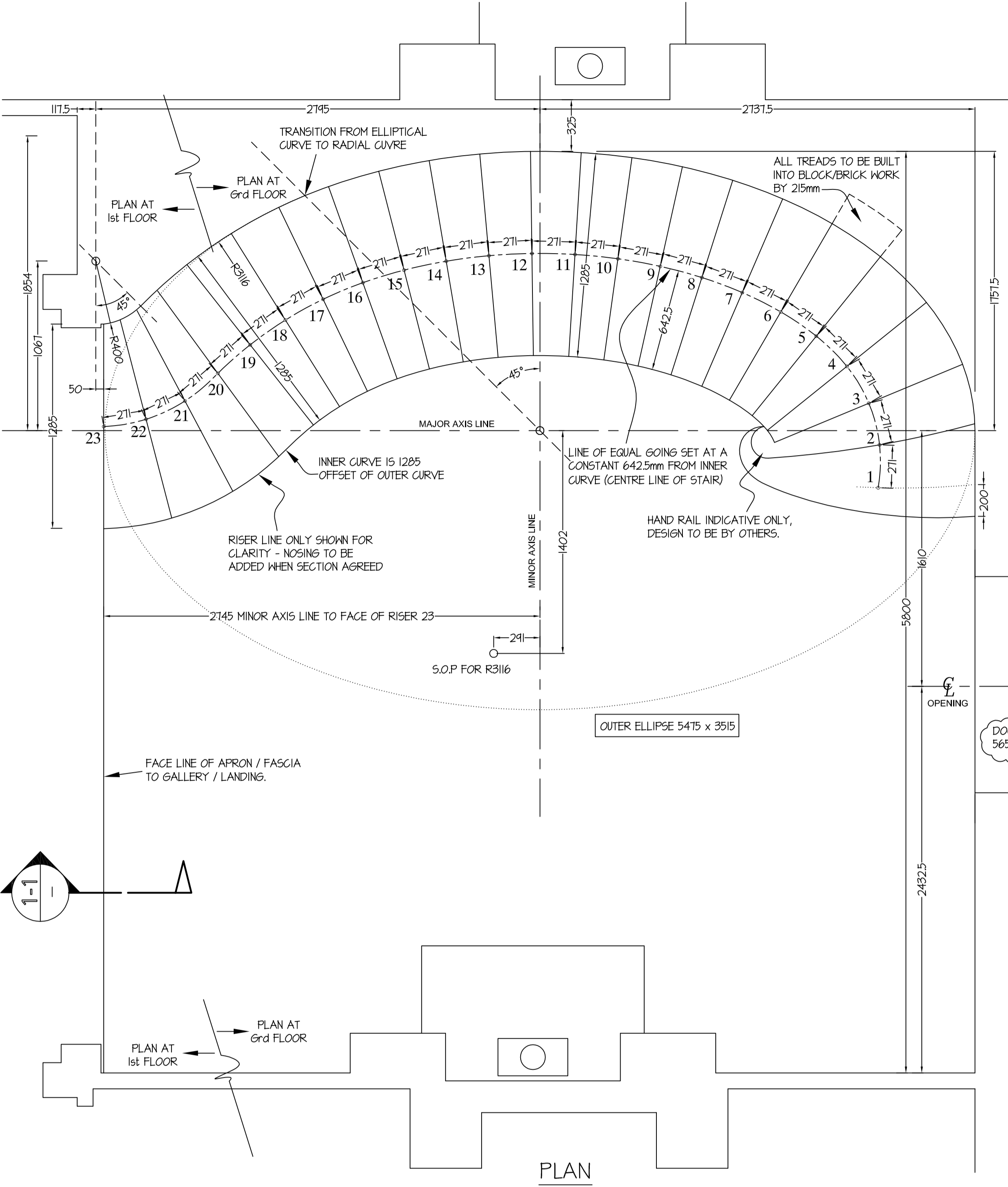
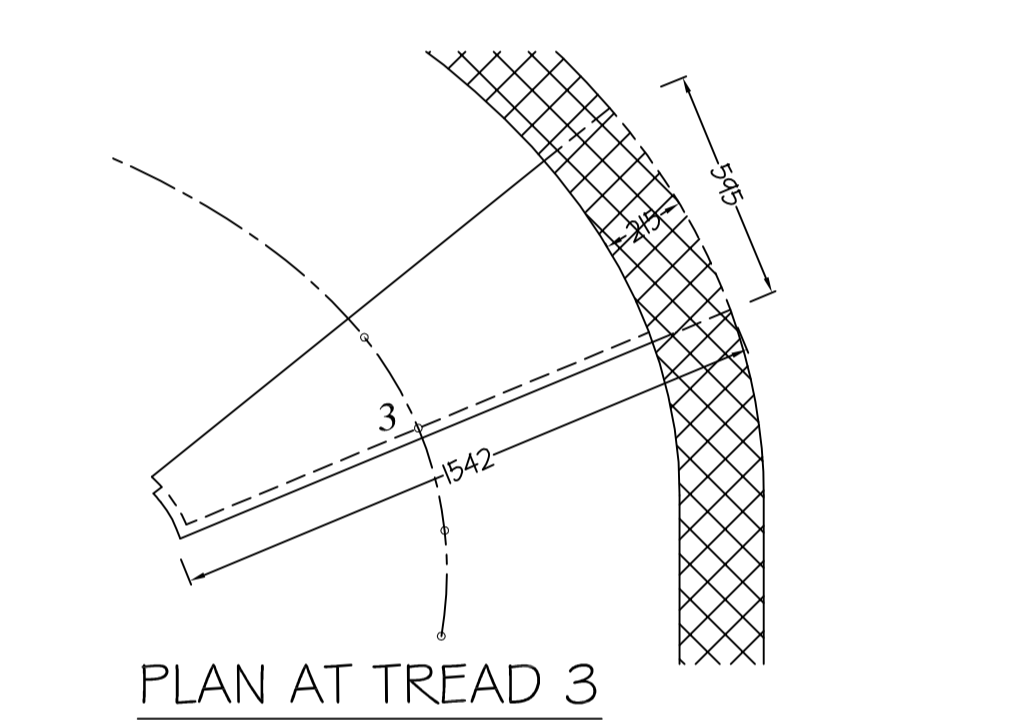
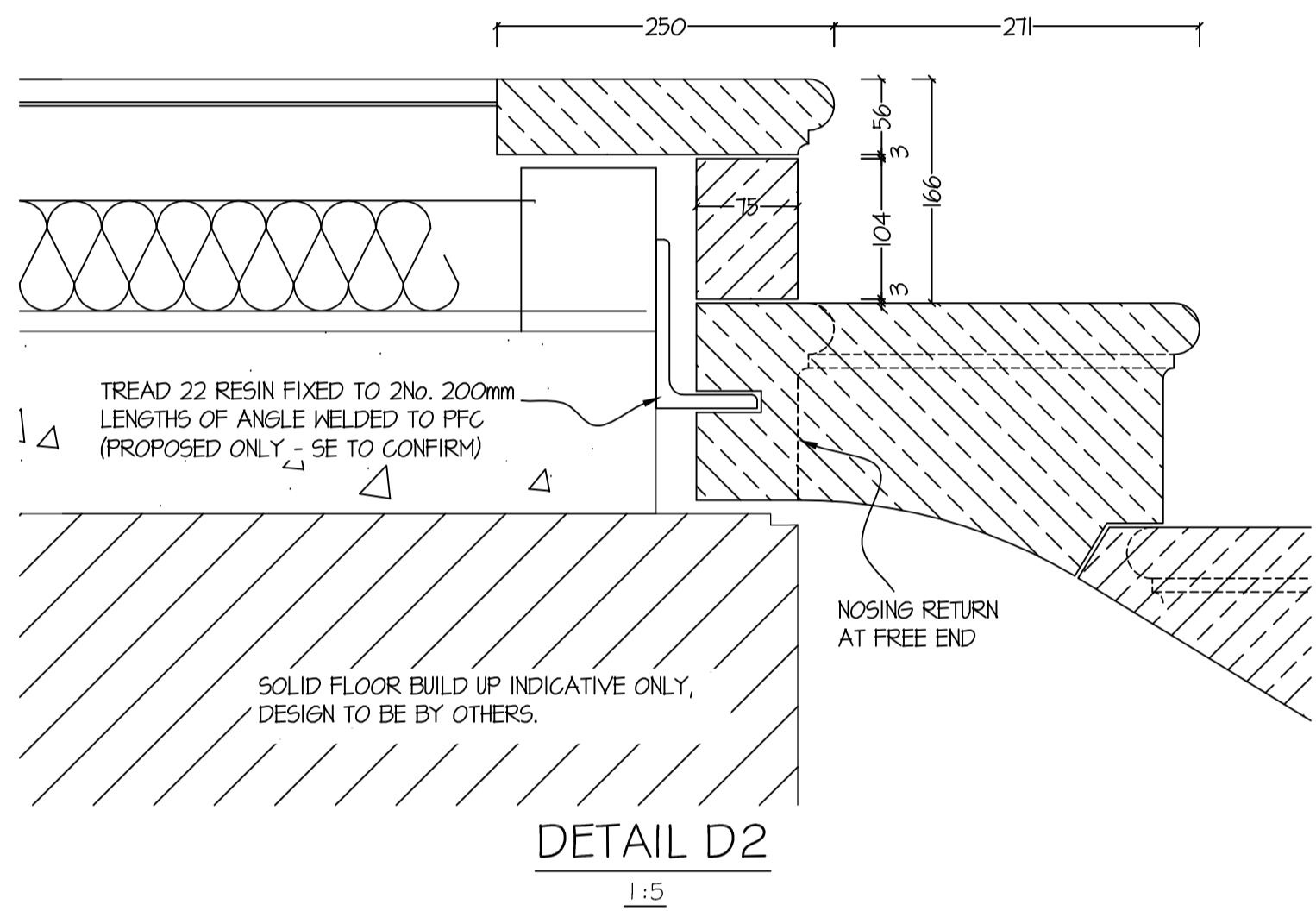
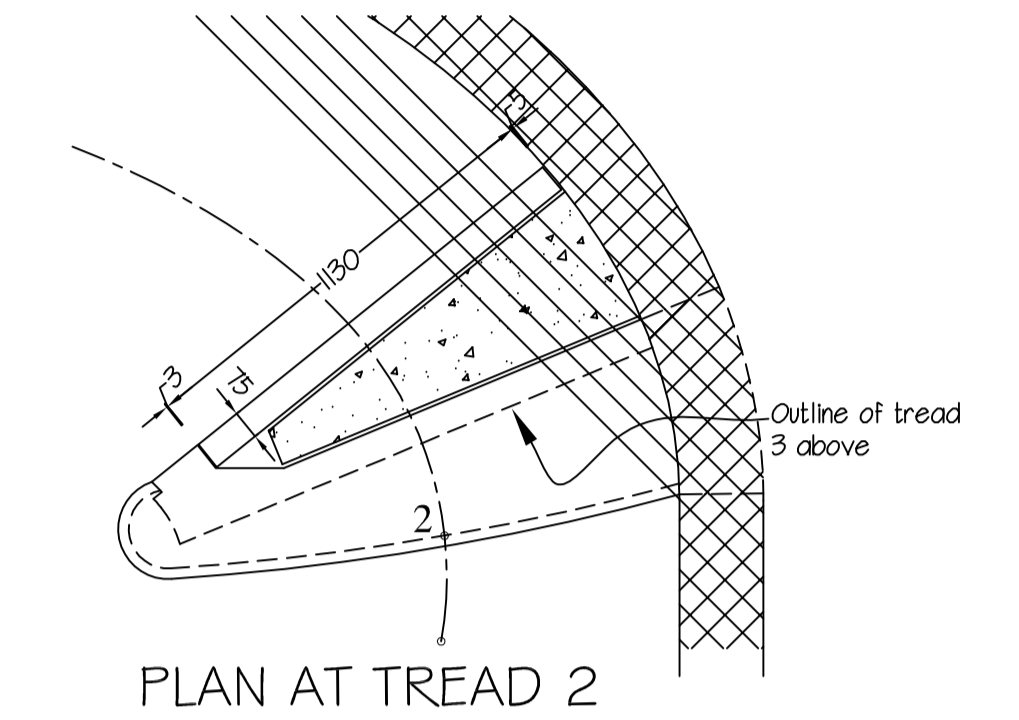
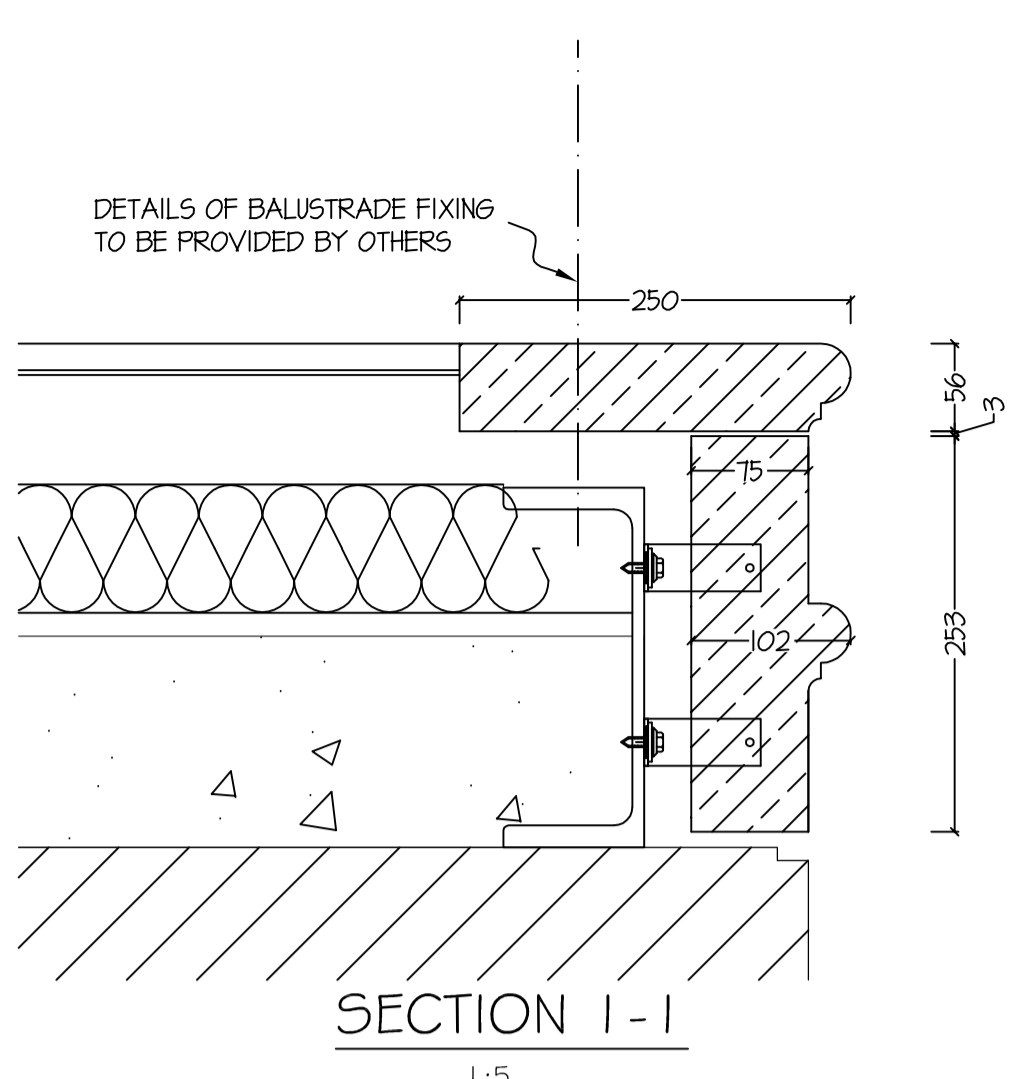
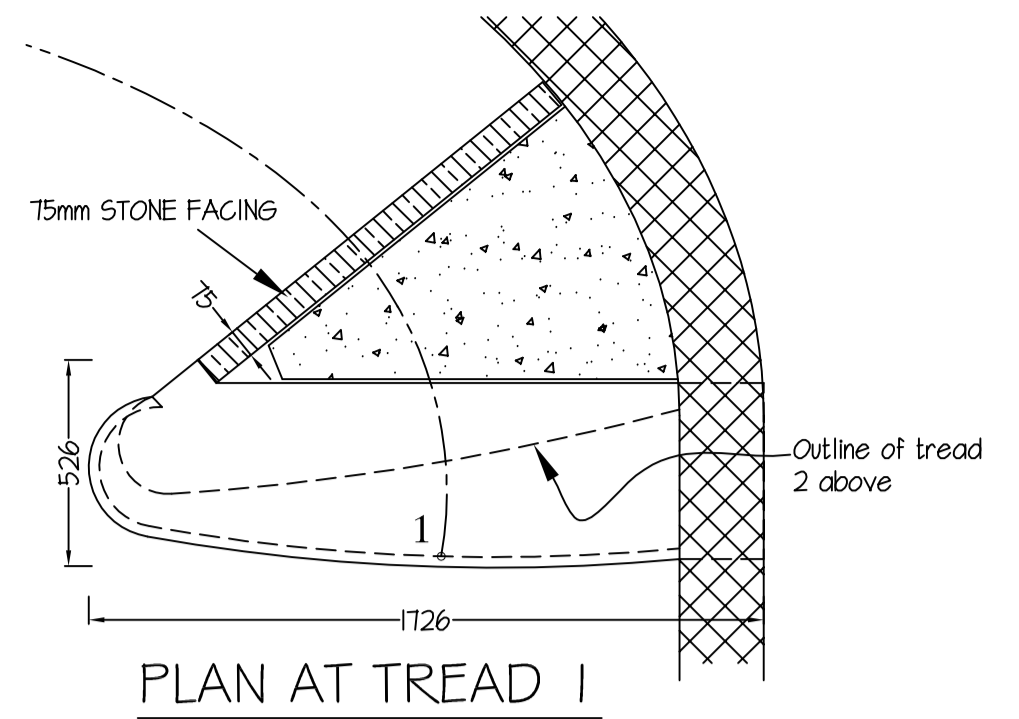


Notes:  
Do Not Scale From Drawing.  
All interfacing construction details are the responsibility of the main contractor  
All interfacing works are to be co-ordinated by the main contractor  
CDM REGULATIONS  
DESIGN RISK ASSESSMENT  
The size and shape of individual stones for this project have been designed to satisfy the overall design requirements for the building. All persons handling and installing such stones should be aware that there are risks associated with this type of work, which cannot be designed out.  
Risk: Injury  
Risk Reduction:  
Fixers must be suitably experienced in the handling of stones and employ lifting methods appropriate to the size and shape of the stone. Access and working platforms must be to the standard required by current legislation. Reference must always be made to COSSH information for the materials being used.

☁ = To be confirmed



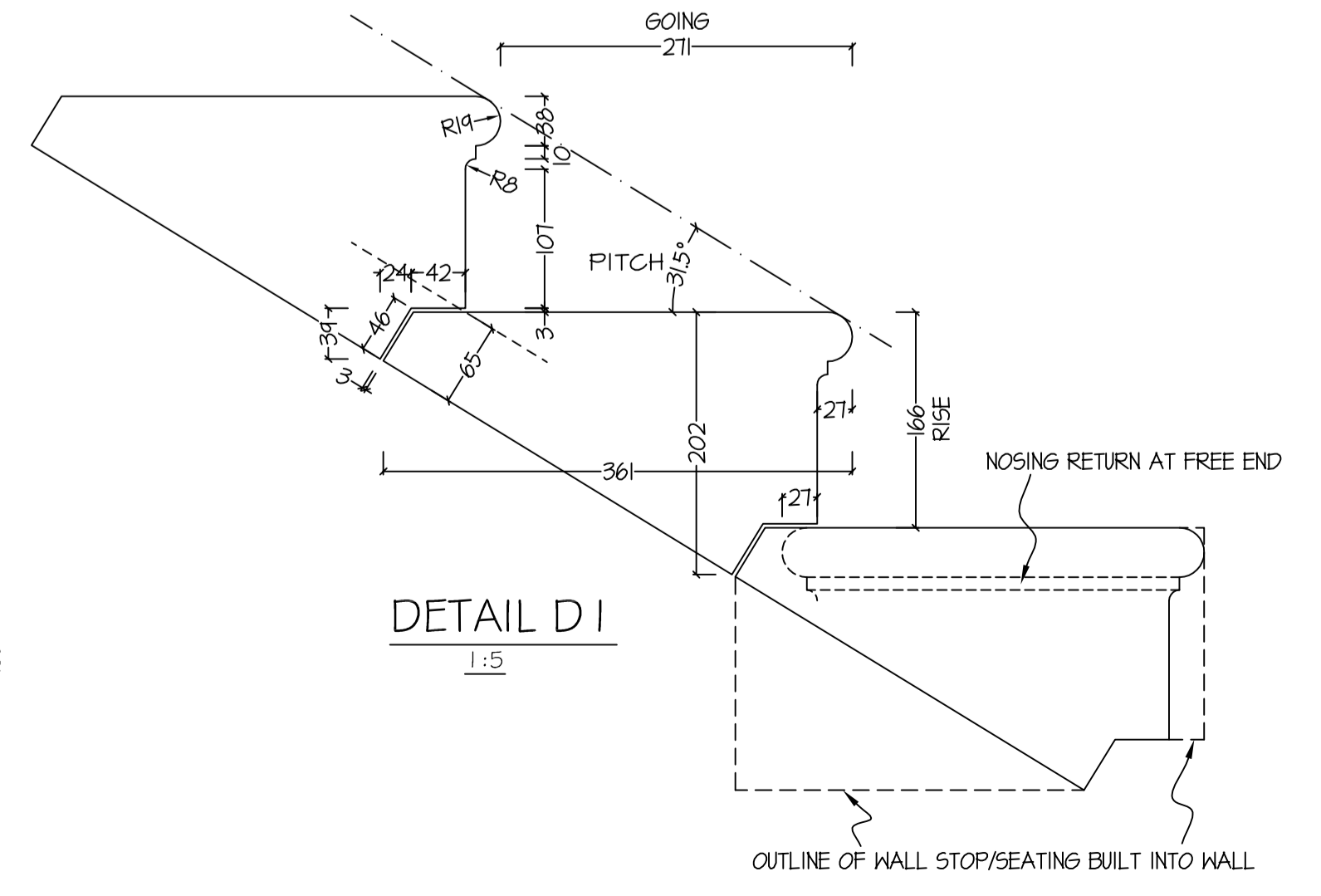
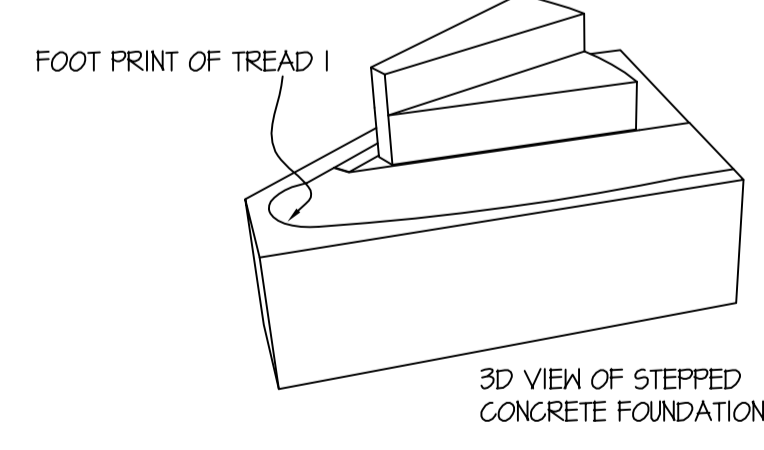
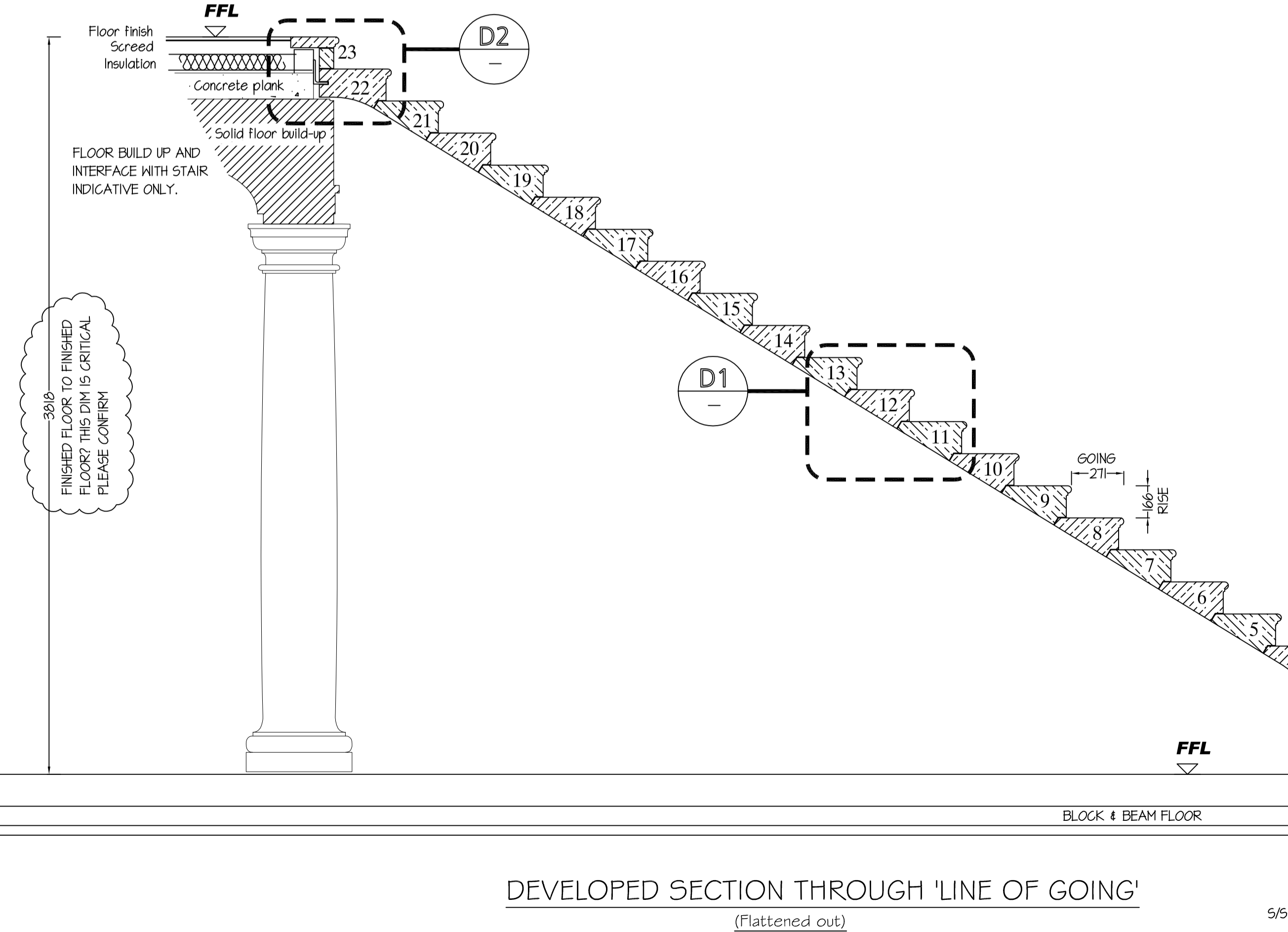
DOOR NOT CENTRED IN 5655 BAY?

2156.5

2136.5

5260

5615



3816  
FINISHED FLOOR TO FINISHED FLOOR? THIS DIM IS CRITICAL PLEASE CONFIRM

Rev.	Date	Comments	By.

**stewart design (uk) limited**  
the old bakery, sheep street, charlbury, oxon, uk, OX7 3RR  
tel: +44 (0) 1608 811500 fax: +44 (0) 1608 811700  
e-mail: design@stewartdesign.co.uk website: www.stewartdesign.co.uk

Architect: PRO VISION - Deer Park Court, Hursley, Winchester, Hampshire, SO21 2LD

Project: Private Client Hampshire UK  
Drawing Title: **Cantilevered Stone Stair**  
Proposed general arrangement and set out details

Drawn: SD Date: Nov 08 Scale: 1:20 & 1:5 @ A1 Drawing No: **0842-01** Rev: -